

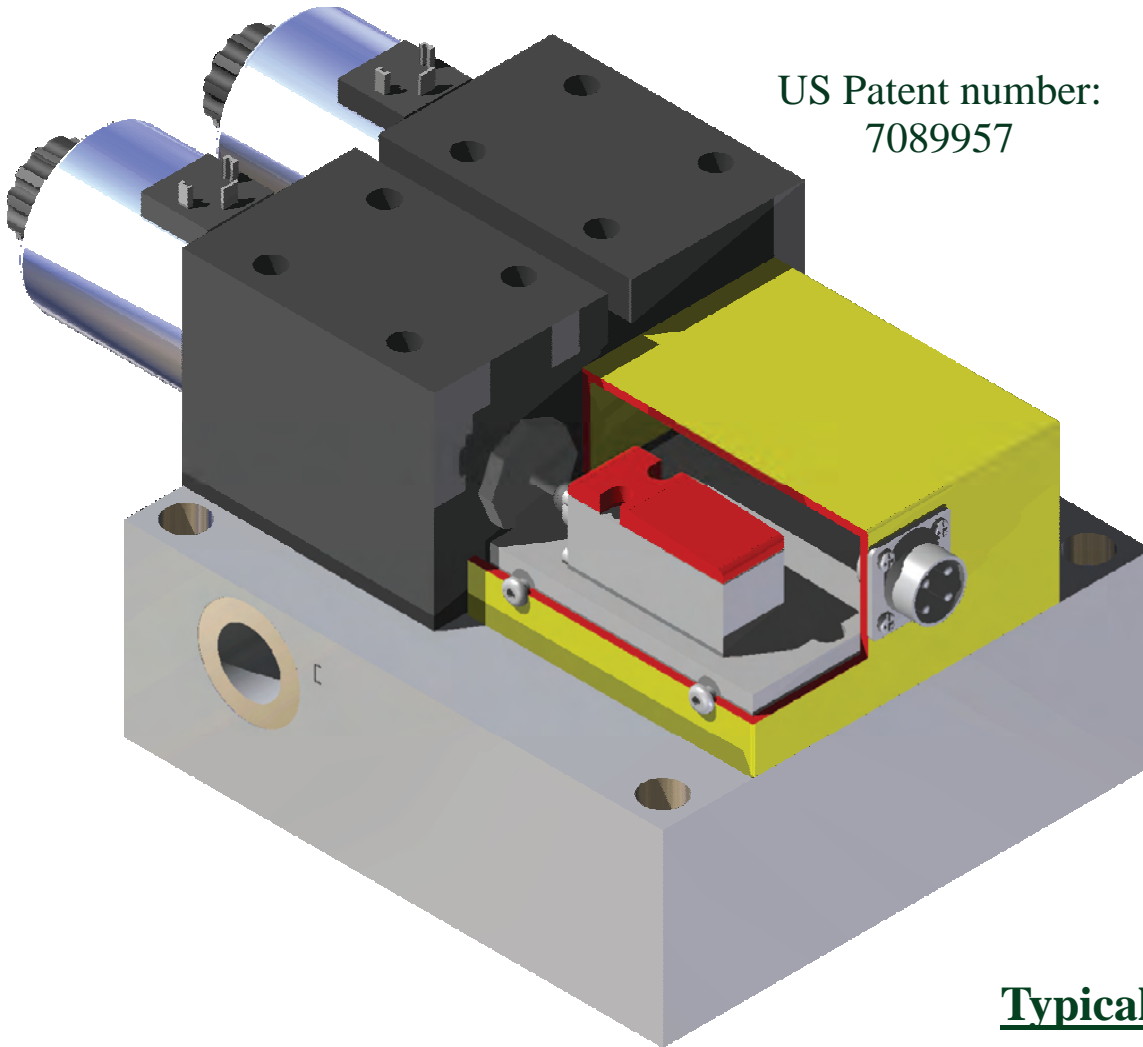


SIDENER
ENGINEERING

Fluid Power, Safety, and Automation Specialists

www.sidenereng.com

CRHV-05-12-24VDC Control Reliable Hydraulic Double Valve



US Patent number:
7089957

Function

This 3-way, 2-position hydraulic valve package features redundant valve elements that allow series flow from the inlet to the outlet and parallel flow from the outlet to tank. This configuration assures that if either valving element fails to operate as requested, inlet flow will be blocked and fluid from the outlet is directed to the tank. The shifting of each valving element is monitored by its own safety switch.

Typical Applications

Bending Machines
Trimming Machines
Cutting, Forming, Piercing Machines
Special Purpose Hydraulic Applications

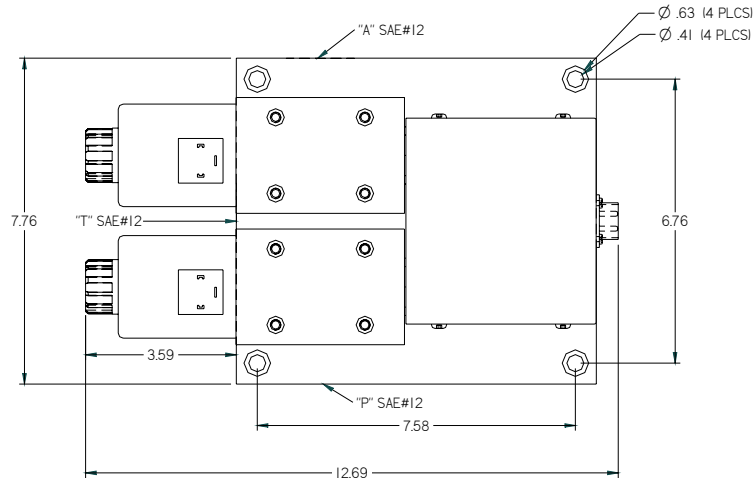
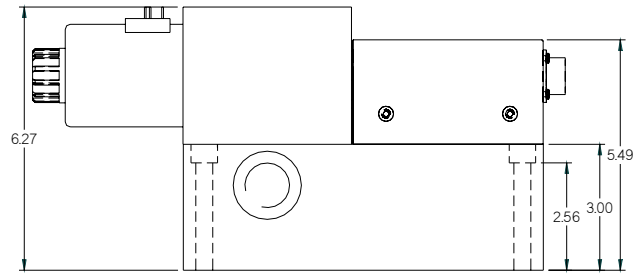
Ports: Inlet (P): SAE #12
Outlet (A): SAE #12
Tank (T): SAE #12

Solenoid Voltage: 24VDC / 72 watts total

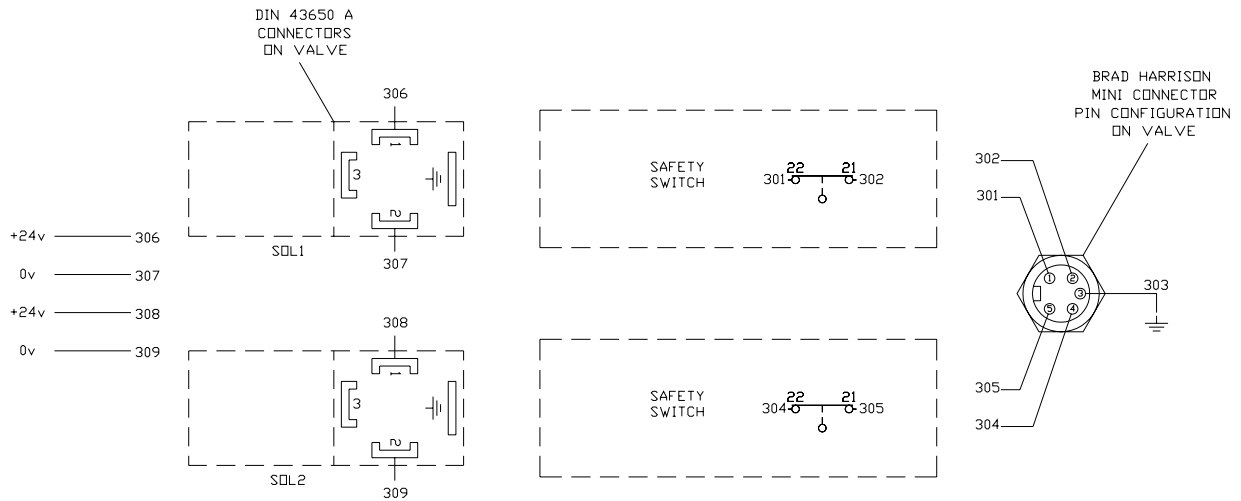
Sidener Engineering Company, Inc. Noblesville, IN 46061
(317)773-8119 www.sidenereng.com
sales@sidenereng.com

Dimensional Information

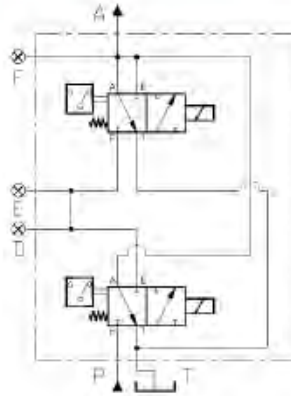
* Dimensions in inches



Wiring Diagram



CRHV-05-12-24VDC



Performance Curves

Max flow w/out malfunction = 40 GPM
Max Allowable Pressure = 5000 PSI

