

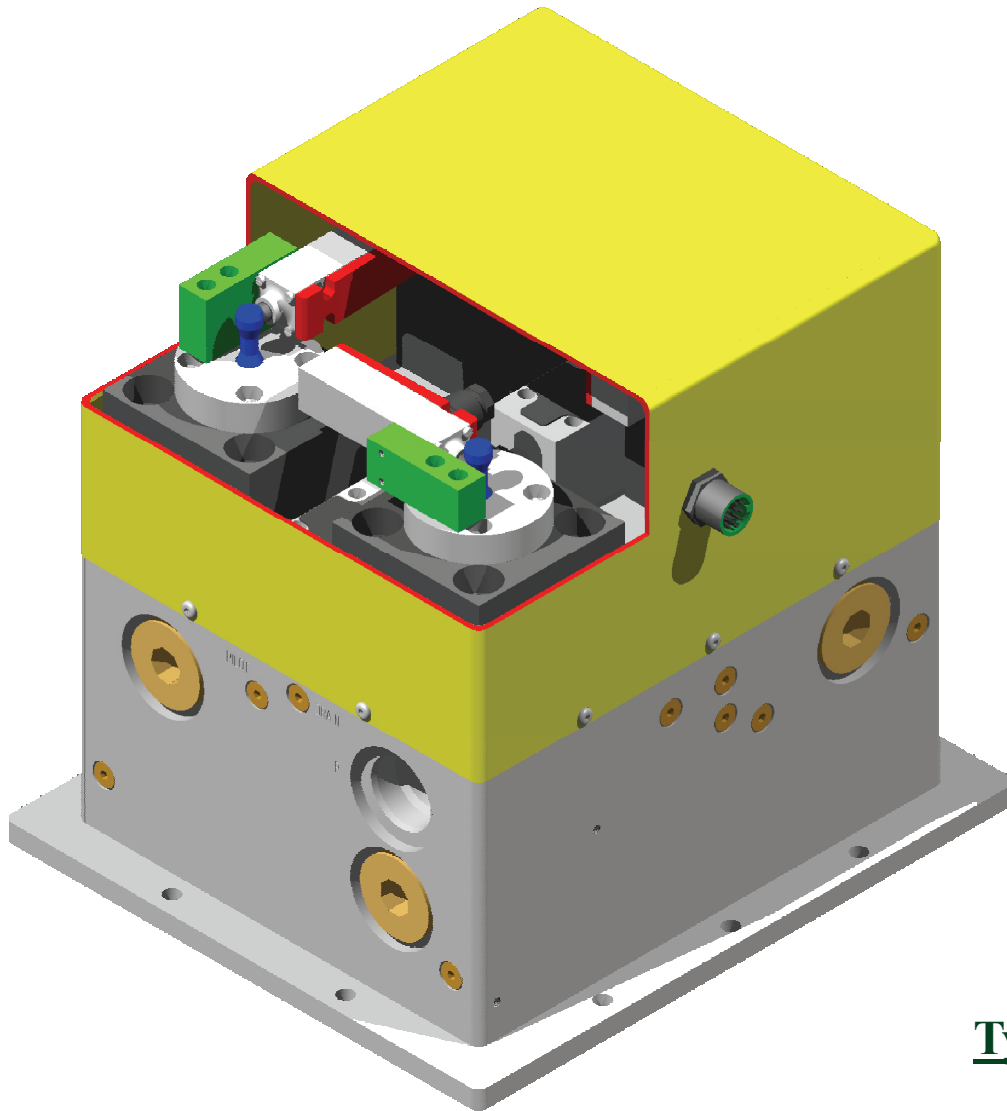


**SIDENER**  
ENGINEERING

*Fluid Power, Safety, and Automation Specialists*

*www.sidenereng.com*

# CRHV-25-16-24VDC Control Reliable Hydraulic Double Valve



## Function

This 3-way, 2 position hydraulic valve package features redundant valve elements that allow series flow from the inlet to the outlet and parallel flow from the outlet to tank. This configuration assures that if any valving element fails to operate as requested, inlet flow will be blocked and fluid from the outlet is directed to the tank. The shifting of each valving element is monitored by its own safety switch.

## Typical Applications

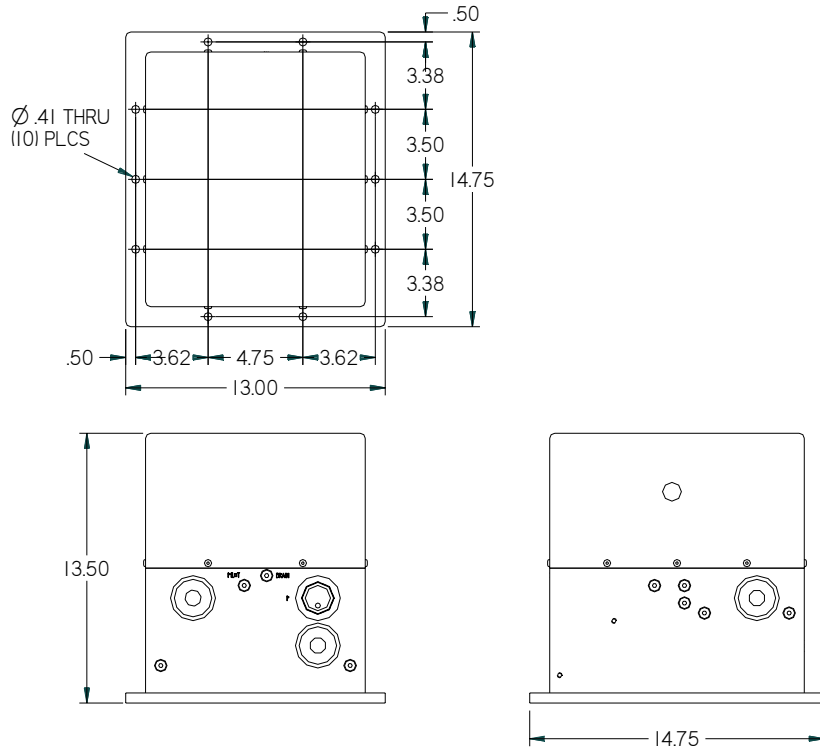
**Ports:** Inlet(P) = SAE #16  
Outlet(A) = SAE #16  
Tank(T) = SAE #16

**Solenoid Voltage:** 24 VDC / 62 watts total

Bending Machines  
Trimming Machines  
Cutting, Forming, Piercing Machines  
Special Purpose Hydraulic Applications

Sidener Engineering Company, Inc. Noblesville, IN 46061  
(317)773-8119 [www.sidenereng.com](http://www.sidenereng.com)  
[sales@sidenereng.com](mailto:sales@sidenereng.com)

# Dimensional Information



# Wiring Diagram

CONNECTION DIAGRAM  
SIZE 20 VALVE ASSEMBLY

