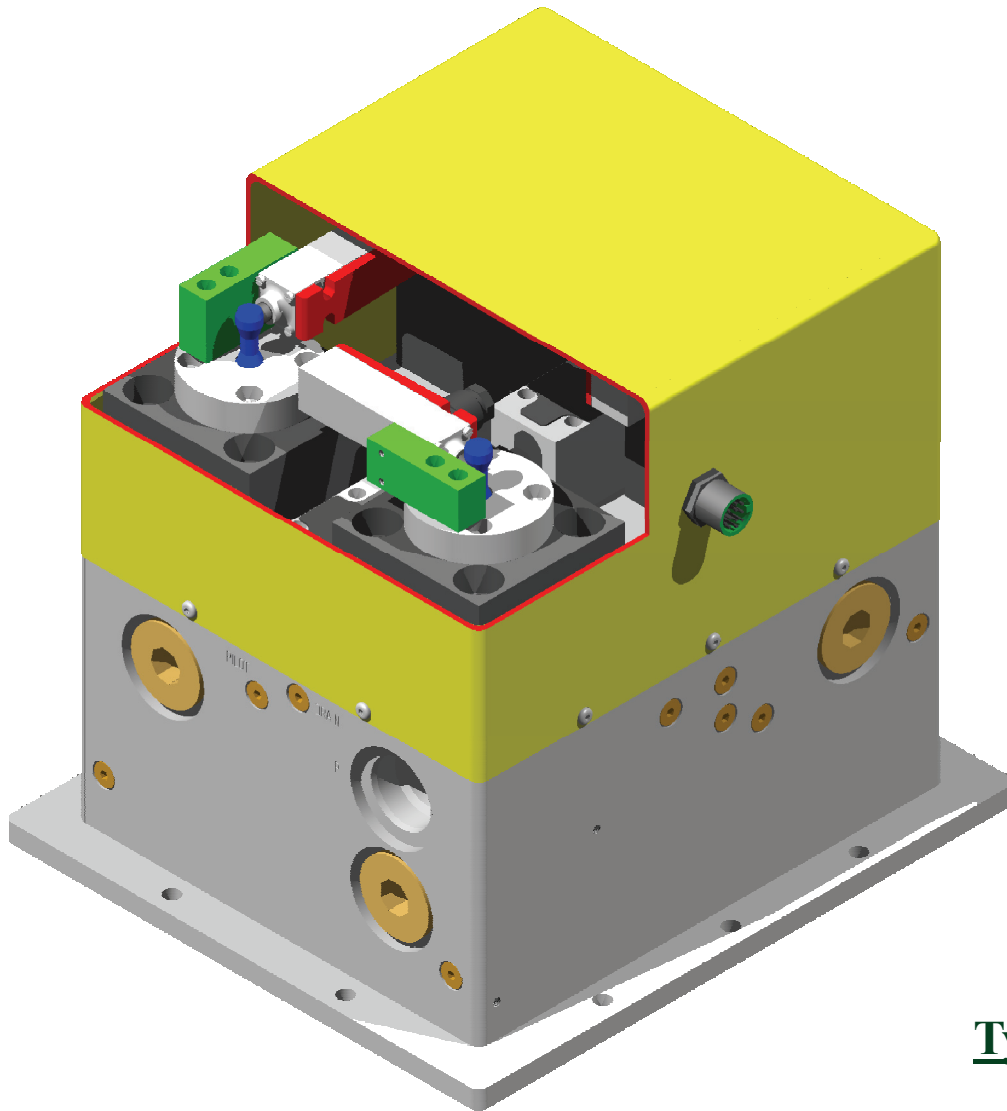




CRHV-32-20-24VDC Control Reliable Hydraulic Double Valve



Function

This 3-way, 2 position hydraulic valve package features redundant valve elements that allow series flow from the inlet to the outlet and parallel flow from the outlet to tank. This configuration assures that if any valving element fails to operate as requested, inlet flow will be blocked and fluid from the outlet is directed to the tank. The shifting of each valving element is monitored by its own safety switch.

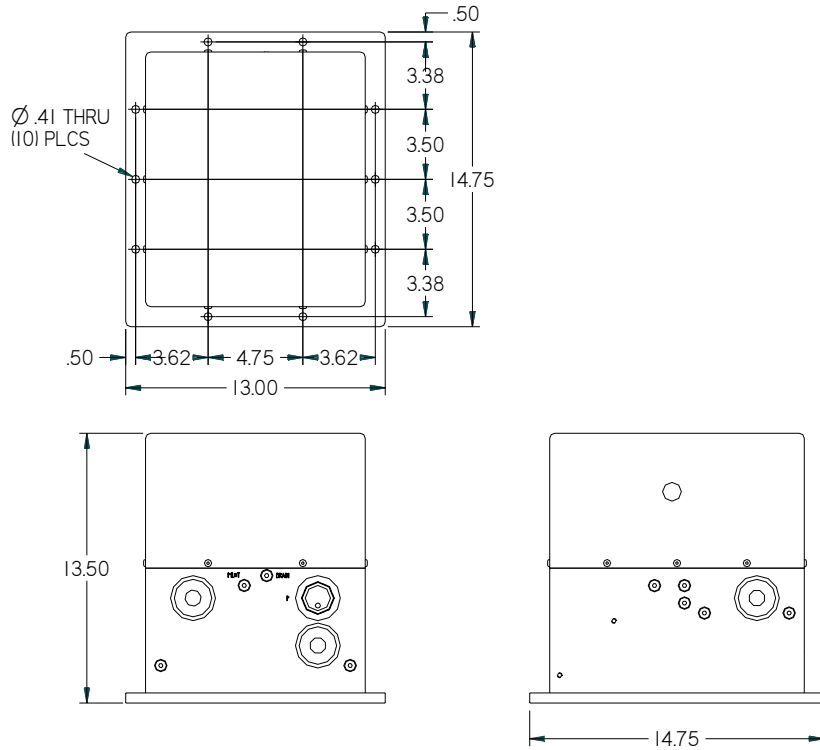
Typical Applications

Ports: Inlet(P) = SAE #20
Outlet(A) = SAE #20
Tank(T) = SAE #20

Solenoid Voltage: 24 VDC / 62 watts total

Bending Machines
Trimming Machines
Cutting, Forming, Piercing Machines
Special Purpose Hydraulic Applications

Dimensional Information



Wiring Diagram

CONNECTION DIAGRAM
SIZE 20 VALVE ASSEMBLY

